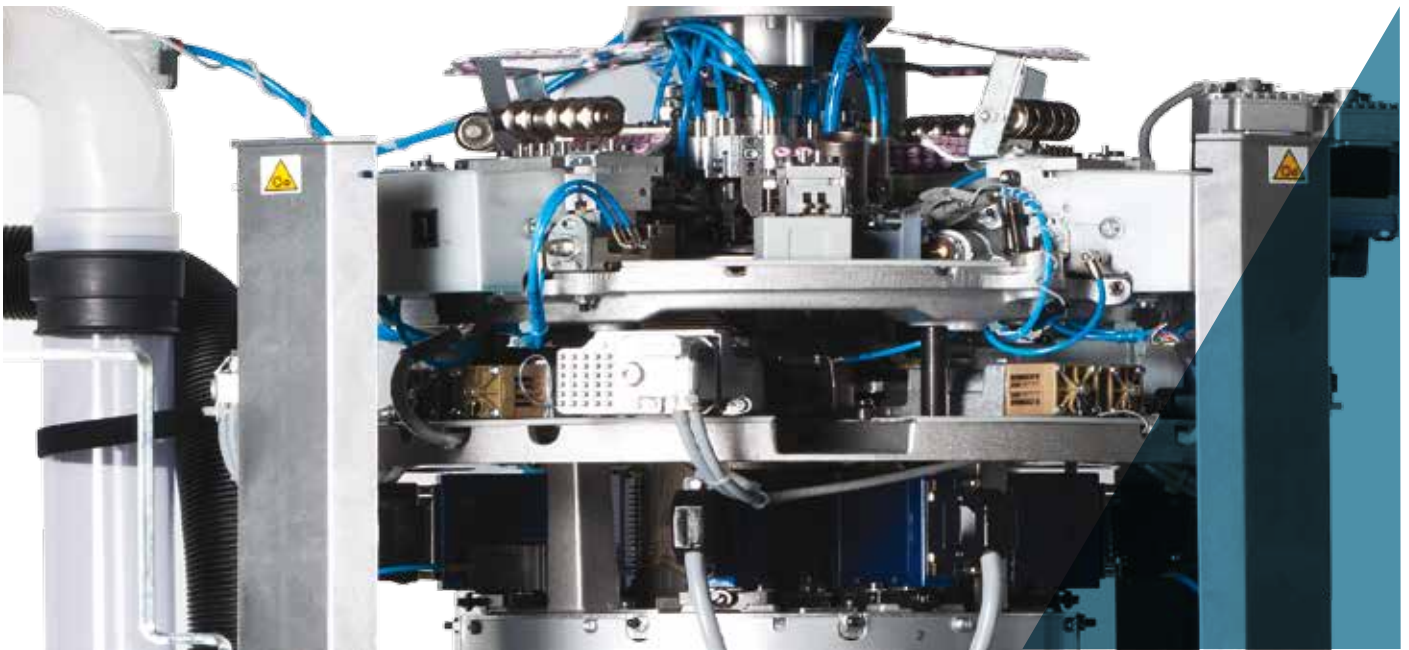


WOMEN'S WOMEN'S SINGLE CYLINDER LB02MJ



WOMEN'S SINGLE CYLINDER LB02MJ





All images in this brochure are indicative and not binding.

WOMEN'S SINGLE CYLINDER LB02MJ

Electropneumatic single cylinder machine with 4 feeds plus 2 extra feeds for pattern and 6 needle-needle selection pattern electronic units. 5 yarnfingers with dual pneumatic control for each feed, 1 motorized plating yarnfinger with pneumatic control for angular movement and 2 pneumatic controls to set height and depth. 2 yarnfingers each extra pattern feed. Stitch cams motorized for gradual or partial stitch narrowing or widening in any part of the sock. Pantyhose option with 2 feeds, with 3 colors each course, cut-boss (jacquard relief), single or double dial jacks. Electronic device to maintain the size at any temperature of the machine.

- 4 feeds single cylinder machine
- 6 pliers suction unit
- 24 yarnfingers
- Motorized sinkers cap, 2 motors
- 4 stitch cams with motorized control of heights
- 1 electronic selection unit on each feed, plus 2 extra ones

MACHINE DIMENSIONS



Length 60 cm + yarn creel cm 145
Depth 60 cm + yarn creel cm 145
Height 136 cm + yarn creel 265 cm

MACHINE WEIGHT



Machine 230 kg
Yarn creel 70 kg

CERTIFICATION



Green
Label

WOMEN'S SINGLE CYLINDER

LB02MJ

TECHNICAL DATA

MODEL	CYLINDER DIAMETER	GAUGE	NEEDLE THICKNESS
LB02MJ (Needle latch 7 mm)	4"	32	0.34 mm

Above data are indicative and not binding.

STANDARD DEVICES

- 40 reels yarn creel;
- Sock ejection hood;
- Yarn waste filter;
- Stepper motor controlled suction valve;
- Rotary or fixed antitwist device;
- 4 pull-out stitch unit with motorized movement of heights;
- 6 pliers suction unit (plates, hooks and cut-pick);
- 12 yarn sliding sensors;
- Motorized radial plating on first yarnfinger;
- Extra latch-opener for open-work;
- Mechanical device for laid-in elastomer on feed 1 and 3;

OPTIONAL DEVICES

- DREAM or DREAM ONE device for stretching socks in ejection
- 2,2 Kw suction fan
- Ethernet board for connection to Dinema Nautilus data collector system
- Dinema YoYo yarn feeder, 12 max
- Dinema Plus medical or bare elastomer yarn feeders, 4 max
- Yarn sensors, 24 max
- Motorized rising dial unit
- Knit-in device kit

SUITABLE YARNS

The machine is designed to be used with the following yarns:

- Nylon;
- Filanca;
- Elastomers (bare, single or double cover);
- Stretch, for transparent items;

POSSIBLE KNITTINGS

The standard machine can perform the following knittings

- Plain knit;
- 1:1, 3:1, 5:1, 7:1, 1:3 fixed mesh, micromech and diagonal mesh;
- Different selections for vertical cutting bands;
- Several 1:1, 2:2 (cut boss) pattern, bikini pattern, pattern heel, pushup etc.;
- Supp-hose on 2 or 4 feeds;
- Plain knit plating on 2 or 4 feeds;

WOMEN'S SINGLE CYLINDER LB02MJ

NUMBER OF COLORS

Number of colors

- Working feeds 1-2-3-4: one color each course plus 1 on feed 2 and 4
- Working feeds 1-3 or 2-4: 3 colors each course
- Working feeds 4-1: 5 colors on feed 4 each course, 1 color on feed 1 each course
- Working feed 4: 6 colors each course

Above data are indicative and not binding.

PERFORMANCES

	4" CYLINDER DIAMETER
GAUGE	32
KNITTING FEATURES	500 rpm with pattern, stitch cams at 55°
	600 rpm plain knit, no pattern, stitch cams at 55°
	700 rpm plain knit, no pattern, stitch cams at 48°
	800 rpm plain knit, no pattern, stitch cams at 40°
MAXIMUM SPEED	800 RPM

Above data are indicative and not binding.

DISCLAIMER:

Speed may need to be adjusted according to the inclination of the stitch cams, to the mechanical parts in use and to the yarn.
N.B. All data in the brochure are for information only and subject to change without any prior notice from Lonati SpA.

ALLOWED PERFORMANCES

CHART OF MAXIMUM ALLOWED SPEED IN PLAIN KNIT IN RELATION TO THE INCLINATION TO THE STITCH CAMS	
Stitch cam inclination	Maximum allowed speed in plain knit
40°	800
48°	700
55°	600

NUMBER OF POSSIBLE COLORS ON EACH COURSE ACCORDING TO THE NUMBER OF WORKING FEEDS	
Working feeds	Number of colors
1° - 2° - 3° - 4°	Feed 1-3 (1 each course) feed 2-4 (2 each course)
1° - 3° o 2° - 4°	3 each course
4° - 1°	Feed 4(5 colors) feed 1(1 color)
4°	6 each course

AVAILABLE CYLINDERS	
GG75-0,34	288 - 300 - 320 - 336 - 352 - 368 - 384 - 386 - 398 - 400 - 402 - 432
GG70-0,41	288 - 320 - 336
GG54-0,50	208 - 240 - 256 - 288

Above data are indicative and not binding.

DISCLAIMER:

All data related to maximum allowed mechanical speed may require to be reduced (to be adjusted according to functional tests on the machine) when using specific particular yarns and/or knitting features.

WOMEN'S SINGLE CYLINDER LB02MJ

ELECTRIC POWER CONSUMPTION

Machine maximum speed 600 r/m, "Average" standard pantyhose program for 1 hour.

MACHINE MODEL	CONSUMPTION kWh
LB02MJ	0.770

COMPRESSED AIR CONSUMPTION

Gauge pressure 6 bar, humidity 0% dryer outlet temperature 18° C – 21° C. With pantyhose ejection blow and suction mouth cleaning.

MACHINE MODEL	CYCLE TIME	CONSUMPTION PER PANTYHOSE	CONSUMPTION PER MINUTE
LB02MJ	135"	NI 22	NI 10

SUCTION CONSUMPTION

Cylinder = 650/700 mm/H2O - Suction mouth = 650/700 mm/H2O - Average consumption for all models = 3 m³/min.

NOISE LEVEL

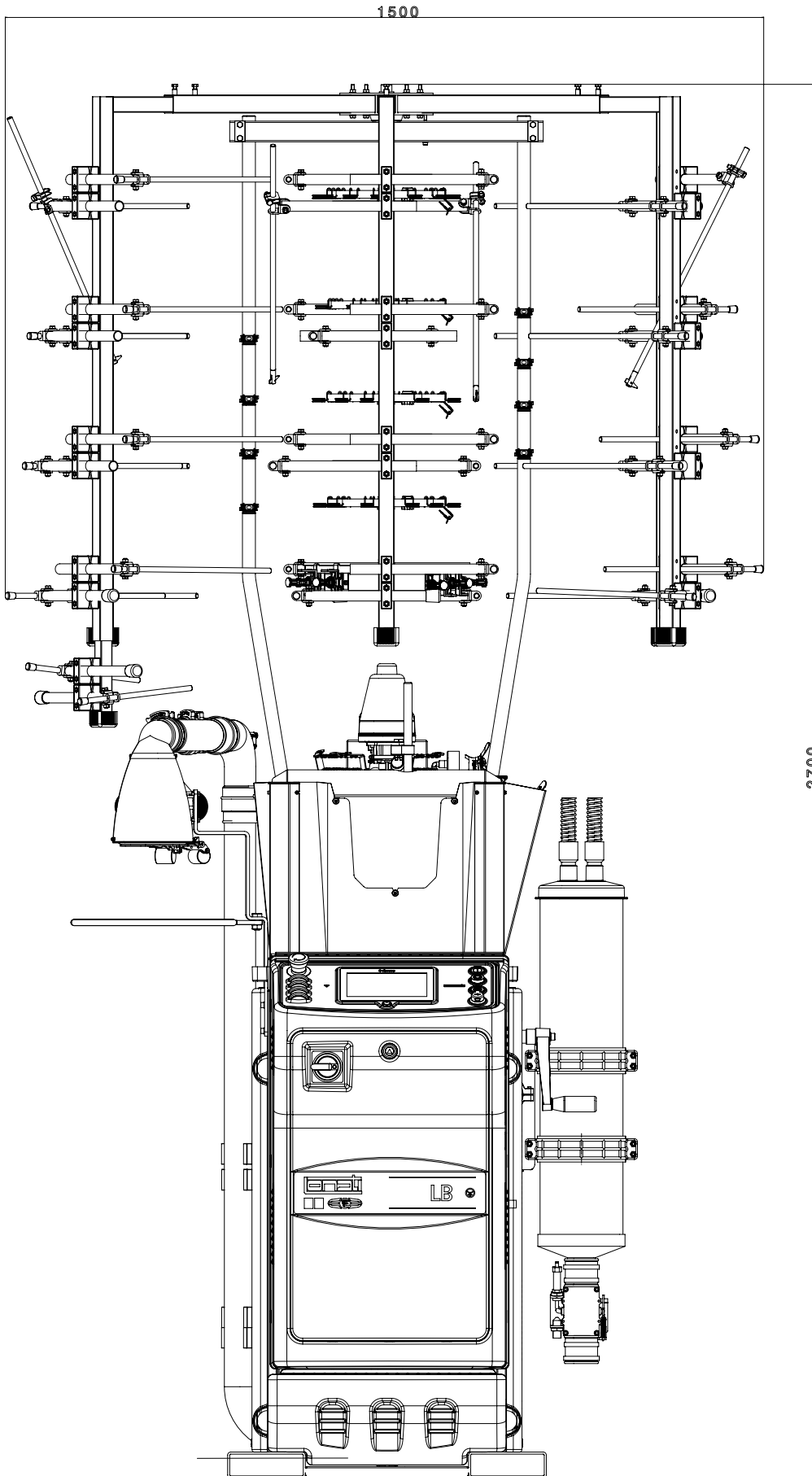
Machine average noise level, suction included LeqA = 74dBA

LUBRICANTS

Average consumption for 500/600 dozens: 1000 gr. - Lonati recommends: Fuchs Trax 14C - Kluber Tex Sintheso M32 – Esso Eil 0287

GREASE

For seals, bearings etc. Lonati recommends: Damping grease Nyogel 774F

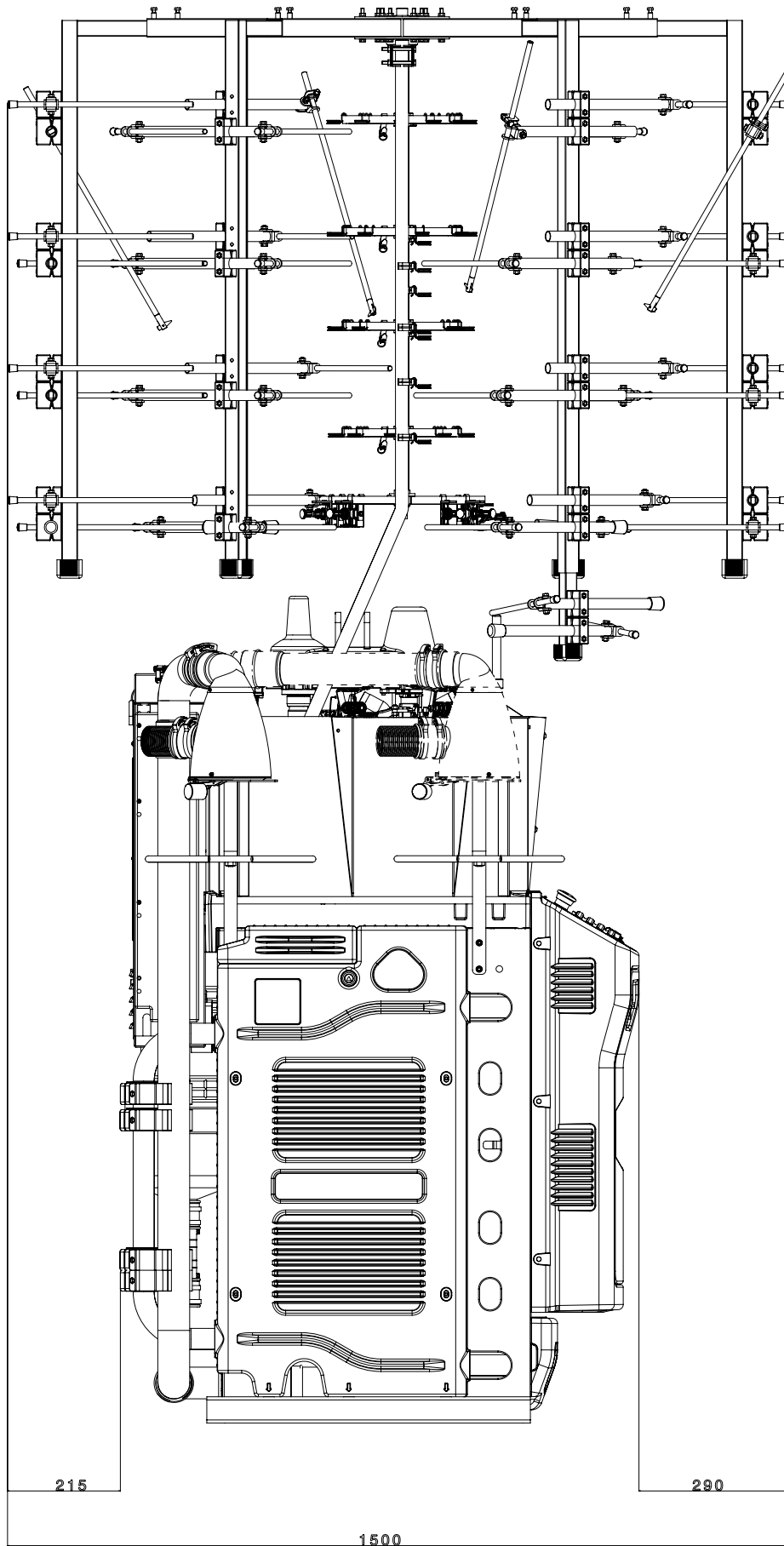


FRONT VIEW

Machine dimensions with 40 reels yarn creel

NOTE:

The picture may show fittings and equipment that are supplied on demand and not.



SIDE VIEW

Machine dimensions with 40 reels yarn creel

NOTE:

The picture may show fittings and equipment that are supplied on demand and not.





LONATI SPA

Via Francesco Lonati, 3 | 25124 Brescia (Italy)
Tel. +39 030 23901 | Fax +39 030 2310024
C.F.: 01469680175 | P.iva: 02096730961
info@lonati.com - www.lonati.com